



W Collection

W40MK58HU1BAUS

60cm MULTI-FUNCTION SMARTCLEAN OVEN



FEATURES & BENEFITS



SMART CLEAN

Innovative SmartClean technology cleans the oven thoroughly and efficiently, leaving no odours and without requiring a detergent. SmartClean technology works together with an easy-to clean special enamel and offers a dedicated cycle that always delivers perfect cleaning results.



COOK 3

No aroma mixing. With the innovative Cook3 function, you can cook up to three separate dishes at the same time, without the risk of aroma mixing.



MULTIFUNCTION 8

Multiple cooking methods. The Multifunction 8 feature offers flexible cooking options, to ensure perfect results, whatever the recipe.



FORCED AIR

Seal in the taste. Thanks to the Forced Air technology, preheated air is circulated inside your oven using an innovative convection system, giving you moist, juicy, cooking results.



TELESCOPIC RAILS

Extremely helpful for checking how the cooking is coming along, allow to easily insert, slide out or remove grids and casseroles.



TURBO GRILL

Fan grilling technology that cooks quickly and more evenly with a boost of hot air surrounding the grill zone. This feature has been designed to create a spit roast effect, so even thicker pieces of meat are crisp on the outside and tender on the inside.



WARRANTY

Guarantees peace of mind and value for money knowing that any product fault or defect is covered by full replacement parts and/or a service call to ensure the product works as described.

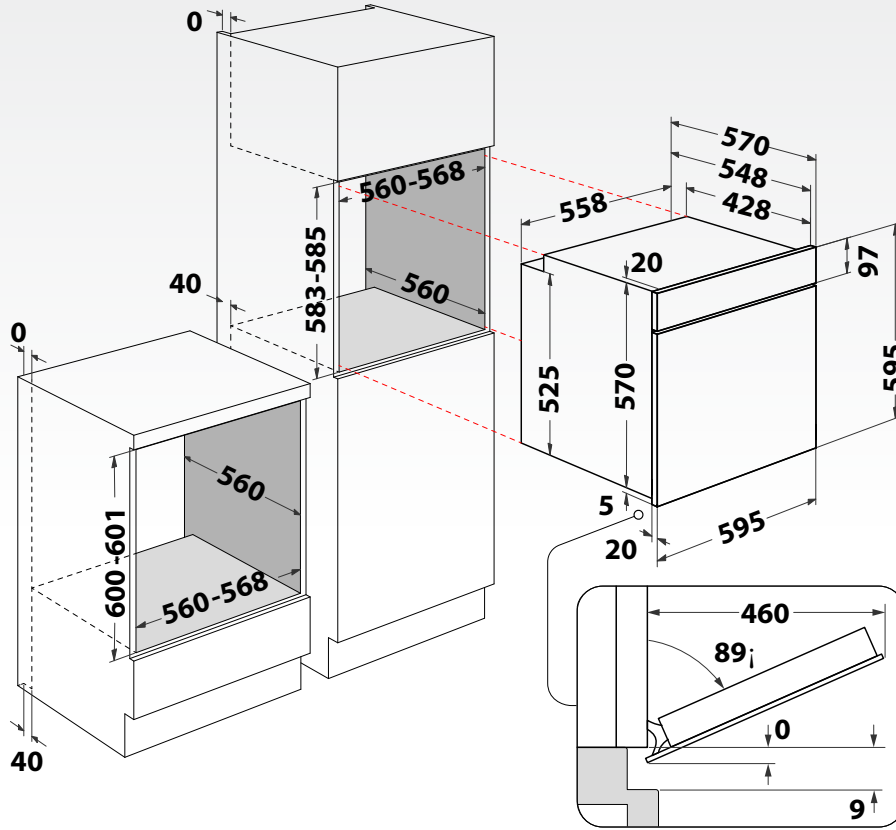
TECHNICAL SPECIFICATIONS

COLOUR/FINISH	Black
DISPLAY	LED Digital
CONTROL	Push Knobs
DOOR / HANDLE DESIGN	Double Glass Door with Black Handle
CAVITY TYPE	Enamelled
CAPACITY	71 litres
COOKING SHELVES	5 shelves
WEIGHT	42.5kg
PRODUCT DIMENSION	W 595mm x H 595mm x D 551mm
CUT OUT DIMENSION	W 560mm x H 583mm x D 560mm
HEATING METHODS	Conventional, Forced Air, Eco Forced Air, Grill, Turbo Grill, Bottom Heating
HEATING TEMPERATURE	50°C to 250°C
FUNCTIONS	Cook3, Rising, Pizza, Maxi Cooking, Bread Auto, Pastry Auto
CLEANING	Smart Clean (Hydrolytic)
ENERGY CONSUMPTION	TBC
ACCESSORIES	2 Wire Shelf, 1 Enamelled Baking Tray, 1 Enamelled Deep Tray, 1 Pair of Telescopic Rails
MAX. TOTAL POWER	2900W
VOLTAGE	220-240 V
CURRENT	13 amp
ELECTRICAL CORD	100cm
PACKAGING DIMENSIONS	W 640mm x H 670mm x D 650mm
GROSS WEIGHT	28.2kg
NET WEIGHT	26.9kg
PLACE OF MANUFACTURE	Poland
WARRANTY	Five Year Parts and Labour

DISTRIBUTED BY ARISIT PTY LTD

40-50 Mark Anthony Drive, Dandenong South VIC 3175
Ph: 1300 762 219 Fax: 03 9768 0838 Website: www.arisit.com

INSTALLATION GUIDE



CONTROL PANEL

