



# W Collection

## W40MK58RU1XA

### 60cm MULTIFUNCTION OVEN WITH HYBRID CLEANING



## FEATURES & BENEFITS



### COOK 3

Cook on three different dishes at the same time thanks to a special airflow that avoids aroma mixing.



### TELESCOPIC SHELF

Extremely helpful for checking how the cooking is coming along, allow to easily insert, slide out or remove grids and casseroles.



### TURBO GRILL

Fan grilling technology that cooks quickly and more evenly with a boost of hot air surrounding the grill zone. This feature has been designed to create a spit roast effect, so even thicker pieces of meat are crisp on the outside and tender on the inside.



### HYBRID FLEXI CLEAN

With the options of Pyrolytic or Smart Clean/Hydrolytic. Pyrolytic technology uses a high-temperature cycle to burn food residues into ashes, which can then be easily wiped away with a sponge. This ensures spotless cleaning with minimal effort. Smart Clean enables the steam to release during special low-temperature cleaning cycle allows dirt and food residues to be removed with ease. With SmartClean, the oven can be cleaned quickly and environmentally.



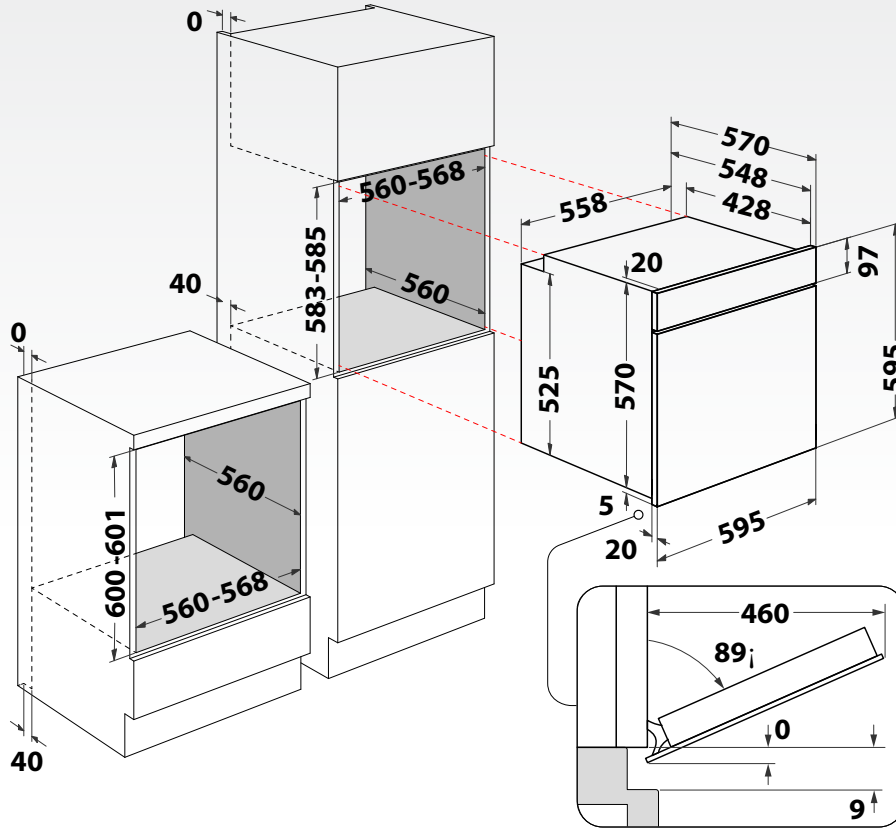
### WARRANTY

Guarantees peace of mind and value for money knowing that any product fault or defect is covered by full replacement parts and/or a service call to ensure the product works as described.

## TECHNICAL SPECIFICATIONS

COLOUR/FINISH	Stainless Steel
DISPLAY	LED Digital
CONTROL	Push Knobs
DOOR / HANDLE DESIGN	Full Glass Door with Stainless Steel Handle
CAVITY TYPE	Enamelled
CAPACITY	71 litres
COOKING SHELVES	5 shelves
WEIGHT	26.9kg
PRODUCT DIMENSION	W 595mm x H 595mm x D 551mm
CUT OUT DIMENSION	W 560mm x H 583mm x D 560mm
HEATING METHODS	Conventional, Forced Air, Grill, Turbo Grill, Bottom Heating
HEATING TEMPERATURE	60°C to 250°C
FUNCTIONS	Bread, Maxi Cooking, Pizza, Defrosting
CLEANING	Hybrid (Pyrolytic+Hydrolytic) Cleaning
ENERGY CONSUMPTION	0.89 kwh/cycle
ACCESSORIES	2 x Wire Shelf, 1 x Baking Tray, 1 x Deep Tray
MAX. TOTAL POWER	3300W
VOLTAGE	220-240 V
CURRENT	16 amp
ELECTRICAL CORD	100cm
PACKAGING DIMENSIONS	W 640mm x H 670mm x D 650mm
GROSS WEIGHT	28.2kg
NET WEIGHT	26.9kg
PLACE OF MANUFACTURE	Poland
WARRANTY	Five Year Parts and Labour

# INSTALLATION GUIDE



# CONTROL PANEL

