



W Collection

W40MSK58RU1SBA

60cm MULTIFUNCTION OVEN WITH STEAM FUNCTION



FEATURES & BENEFITS



COOK 3

Cook on three different dishes at the same time thanks to a special airflow that avoids aroma mixing.



TELESCOPIC SHELF

Extremely helpful for checking how the cooking is coming along, allow to easily insert, slide out or remove grids and casseroles.



STEAM

The Steam function combines the power of steam with traditional cooking and guarantees the ideal level of humidity and warm air in the programs designed for cooking different categories of foods.



HYBRID FLEXI CLEAN

With the options of Pyrolytic or Smart Clean/Hydrolytic. Pyrolytic technology uses a high-temperature cycle to burn food residues into ashes, which can then be easily wiped away with a sponge. This ensures spotless cleaning with minimal effort.

Smart Clean enables the steam to release during special low-temperature cleaning cycle allows dirt and food residues to be removed with ease. With SmartClean, the oven can be cleaned quickly and environmentally.



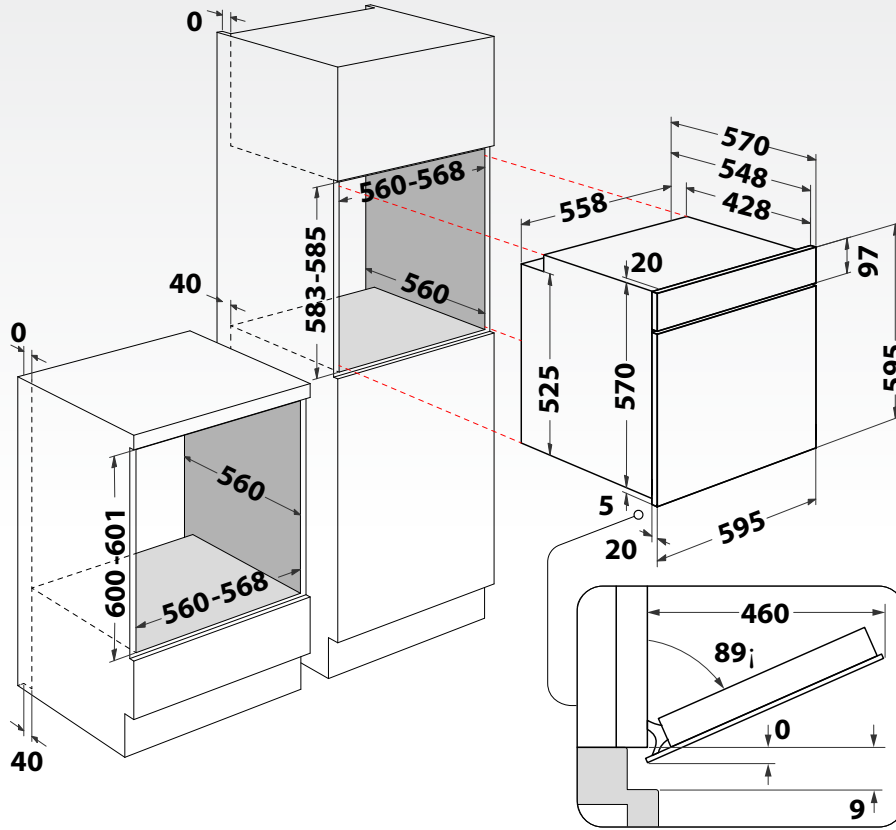
WARRANTY

Guarantees peace of mind and value for money knowing that any product fault or defect is covered by full replacement parts and/or a service call to ensure the product works as described.

TECHNICAL SPECIFICATIONS

COLOUR/FINISH	Black
DISPLAY	LED Digital
CONTROL	Push Knobs
DOOR / HANDLE DESIGN	Full Glass Door with Black Handle
CAVITY TYPE	Enamelled
CAPACITY	71 litres
COOKING SHELVES	5 shelves
WEIGHT	26.9kg
PRODUCT DIMENSION	W 595mm x H 595mm x D 551mm
CUT OUT DIMENSION	W 560mm x H 583mm x D 560mm
HEATING TEMPERATURE	60°C to 250°C
9 FUNCTIONS + 1 AUTO FUNCTION	Conventional, Rising, Forced Air, Pizza, Eco Forced Air, Grill, Turbo Grill, Maxi Cooking, Steam, Pastry Auto
CLEANING	Hybrid (Pyrolytic+Hydrolytic) Cleaning
ENERGY CONSUMPTION	0.89 kwh/cycle
ACCESSORIES	2 x Wire Shelf, 1 x Baking Tray, 1 x Deep Tray
MAX. TOTAL POWER	3300W
VOLTAGE	220-240 V
CURRENT	16 amp
ELECTRICAL CORD	100cm
PACKAGING DIMENSIONS	W 640mm x H 670mm x D 650mm
GROSS WEIGHT	28.2kg
NET WEIGHT	26.9kg
PLACE OF MANUFACTURE	Poland
WARRANTY	Five Year Parts and Labour

INSTALLATION GUIDE



CONTROL PANEL

