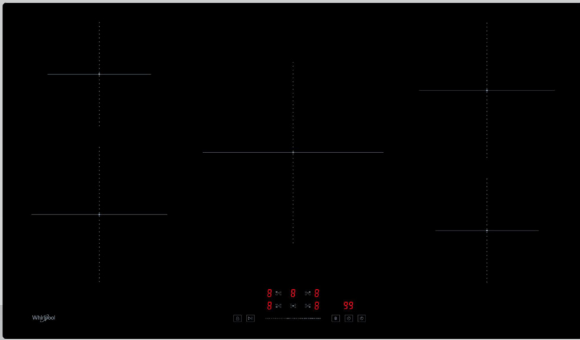




IWSH9051CAUS

90CM 5 ZONE BUILT-IN INDUCTION COOKTOP

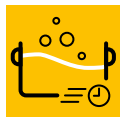


FEATURES & BENEFITS



INDUCTION TECHNOLOGY

Induction technology heats the pan, not the hob, reducing energy dispersion as well as achieving faster and energy-efficient cooking.



BOOSTER

Thanks to the Booster function which the cooking zones of the hob are equipped with, boiling times are significantly reduced.



STOP & GO

Suspend the cooking process if you're interrupted then re-start again at the same temperature in an instant with the Stop & Go function.



BLACK CERAMIC GLASS

A completely smooth cooking surface makes the cooktop extremely easy to clean with just a wipe.



CHILD LOCK

Featuring a Child Lock function to prevent toddlers and children from accidentally using the hob.



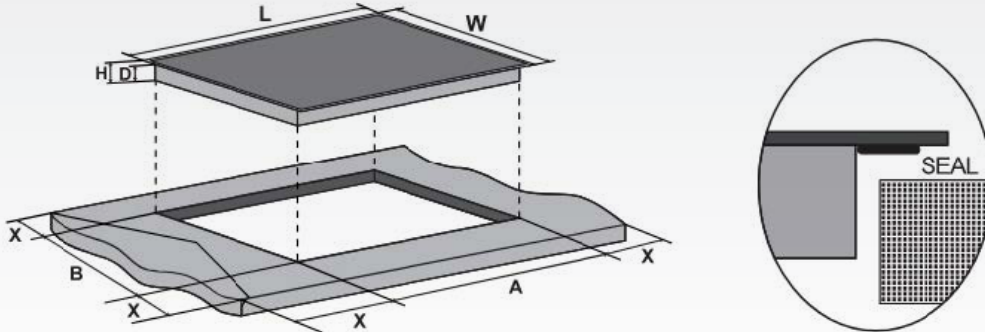
WARRANTY

5 Year warranty on parts and labour.

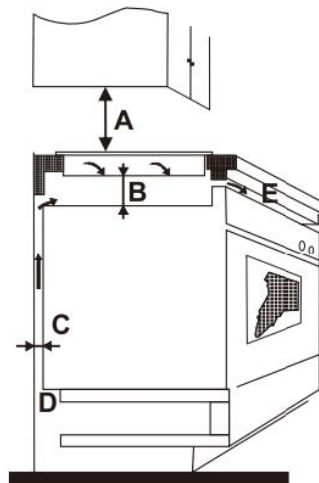
TECHNICAL SPECIFICATIONS

| | |
|---------------------------|--|
| TYPE | 90cm Built-in Induction Hob |
| COOKING ZONES | 5 |
| COLOR / FINISH | Black Ceramic Glass |
| CONTROL | Slider Touch Control |
| LOCATION OF CONTROL PANEL | Front |
| PRODUCT NET WEIGHT | 16kg |
| PRODUCT DIMENSION | W 900mm x H 60mm x D 520mm |
| CUT-OUT DIMENSION | W 880mm x D 500mm |
| FUNCTIONS | Booster, Stop & Go Function |
| FEATURES | Child Lock, Timer, Pan Detection, Residual Heat Indicator, Auto Shutdown, Over-heat Protection, Over-flow Protection |
| TOTAL POWER | 10,200W |
| LEFT, FRONT ZONE | 2,000W (Booster 3,000W) |
| LEFT, REAR ZONE | 1,500W (Booster 2,000W) |
| CENTRAL ZONE | 2,300W (Booster 3,000W) |
| RIGHT FRONT ZONE | 1,500W (Booster 2,000W) |
| RIGHT REAR ZONE | 2,000W (Booster 3,000W) |
| POWER SETTING | 9 levels |
| ENERGY INPUT | Electric |
| POWER VOLTAGE | 220-240V or 380-415V 3N~, 50-60Hz |
| LENGTH OF POWER CORD | 110cm (without plug) |
| PACKAGING DIMENSION | W 1005mm x H 120mm x D 620mm |
| GROSS WEIGHT | 19kg |
| EAN | 4895120710887 |
| COUNTRY OF ORIGIN | Asia |
| WARRANTY | 5 Years |

INSTALLATION GUIDE

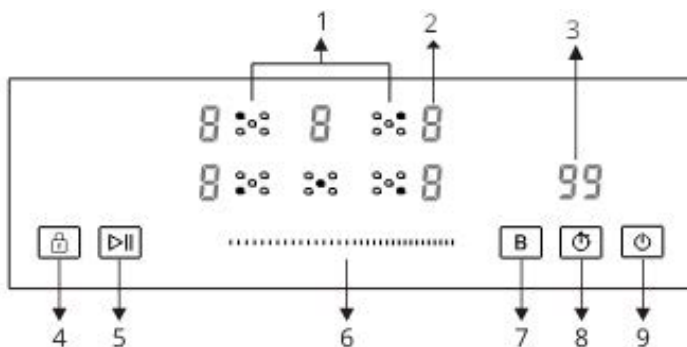


| INDICATION | L | W | H | D | A | B | X |
|------------|-------|-------|------|------|-------|-------|------|
| DIMENSION | 900mm | 520mm | 60mm | 52mm | 880mm | 500mm | 50mm |



| INDICATION | A | B | C | D | E |
|------------|--------------|-------------|-------------|-----------------------|-----------------------|
| DIMENSION | 760mm (min.) | 50mm (min.) | 20mm (min.) | 20mm (Air inlet min.) | 5mm (Air outlet min.) |

CONTROL PANEL



1. Cooking Zone selection button
2. Cooking level indicator
3. Timer indicator
4. Child Lock control button
5. Stop & Go control button
6. Scroll keypad
7. Booster function control button
8. Timer control button
9. ON/OFF button

DISTRIBUTED BY ARISIT PTY LTD

40-50 Mark Anthony Drive, Dandenong South VIC 3175
 Ph: 1300 762 219 Fax: 03 9768 0838 Website: www.arisit.com