

# INSTALLATION

## TECHNICAL INFORMATION FOR THE INSTALLER

- Use protective gloves for handling, preparing, and installing the product.
- This product can be embedded in a worktop 20 ÷ 60 mm thick.
- If there is no oven beneath the hob, insert a separator panel with a surface at least equal to the opening in the work surface. This panel must be positioned at a maximum distance of 150 mm below the upper surface of the work surface but, in no case, less than 70 mm from the bottom of the hob. If you intend to install an oven beneath the hob, make sure that it is equipped with a cooling system.
- Where the rating plate is obscured by cabinetry when the cooktop is in the installed position, place the duplicate rating plate (provided together with the literature) on a surface of the cabinetry adjacent to the cooktop.

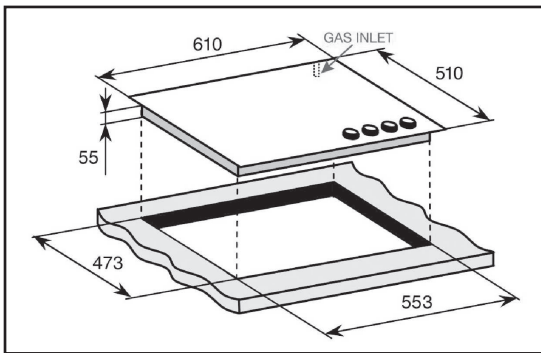
**NOTE: An airflow may extinguish the burner flame if the removable panel is not installed. The air flow may occur when you open or close the cabinet door or drawer.**

- An authorized person must install this appliance in accordance with this instruction manual:
  - AS/NZS 5601.1 - Gas installations (installation and pipe sizing)
  - Local gas fitting regulations
  - Local electrical regulations
  - Building Code of Australia and any other government authority.

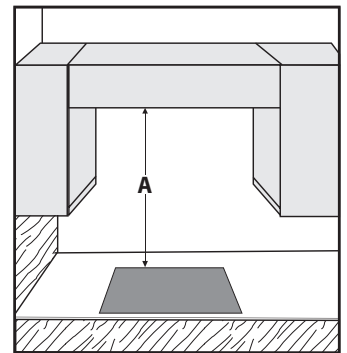
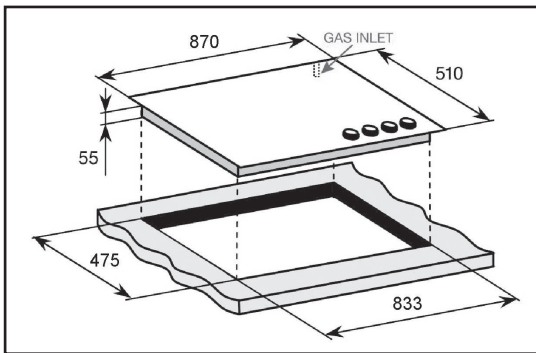
**Ventilation must be in accordance with AS/NZS 5601 - Gas Installation. In general, the appliance should have adequate ventilation for complete combustion of gas, proper flueing and to maintain temperature of immediate surroundings within safe limits. The wall and bench surfaces must be capable of sustaining temperatures of 75 °C. All laminates, fixing adhesive and surfacing materials should be suitable for this temperature.**

## DIMENSIONS AND DISTANCES TO BE MAINTAINED

Mod.: GGW610NBAUS

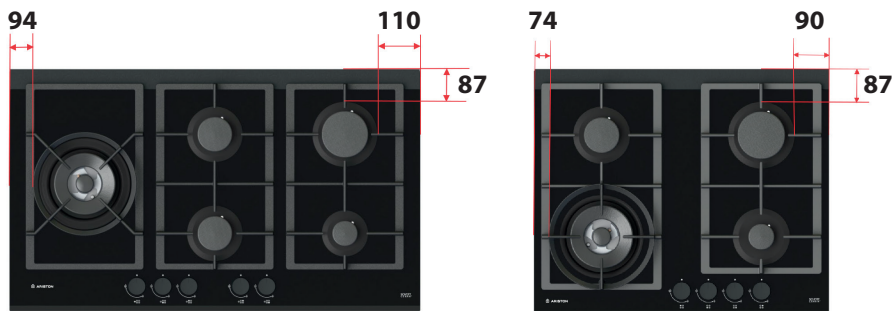


Mod.: GGW870NBAUS

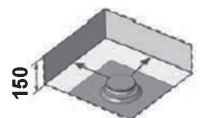


The appliance belongs to class 3 and is therefore subject to all the provisions established by the provisions governing such appliances.

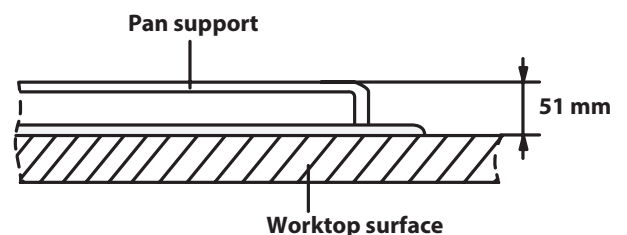
**NOTE: In case of installation of a hood above the cooktop please refer to the range hood instructions for the correct distance. Clearance A, between the highest part of the highest burner of the gas cooking appliance and a range hood or exhaust fan (overhead clearance), shall be no less than 600 mm for a range hood, and no less than 750 mm for an exhaust fan. The minimum clearance from a combustible surface shall be a 200 mm horizontal distance from the periphery of any gas burner (AS/NZS 5601.1).**



If that horizontal clearance is less than 200 mm, that vertical surface must be protected by a non combustible material for 150 mm above the cooktop surface across the entire length (depth, width). The shown area indicates the protected surface, which may be ceramic tiles or other approved material.



The high from the worktop surface to the top of the pan support is 51 mm.



## CAUTION:

The installer shall test the appliance before leaving. Test the safety operation of the ignition system on all burners individually and combined.

## ASSEMBLY

After cleaning the perimeter surface, apply the supplied gasket to the hob, as shown in the figure.

Position the hob in the worktop opening made respecting the dimensions indicated in the Instruction.

Check that the appliance is in a good condition after having removed the outer packaging and internal wrappings from around the various loose parts. In case of doubt, do not use the appliance and contact qualified personnel.

**Never leave the packaging materials (cardboard, bags, polystyrene foam, nails, etc.) within children's reach since they could become potential sources of danger.**

- When the appliance is installed so that the base can be touched, we recommend fitting a protecting shield. This shield must be at least 70 mm below the base of the bench top. Timber or other suitable material may be used provided it is capable of withstanding the appliance temperatures. Ensure that the supply connection point is accessible with the appliance installed. To facilitate the shield may need to be removable.



The cooktop has a special seal which prevents liquid from getting into the cabinet.

Strictly comply with the following instructions in order to correctly apply this seal:

- Take off all the movable parts of the hob.
- Cut the seal in 4 parts of the necessary length to positioning it on the 4 edges of the glass.
- Overturn the cooktop and correctly position seal "E" (fig. 1) under the edge of the cooktop itself, so that the outer side of the seal perfectly matches the outer edge of the cooktop. The ends of the strips must fit together without overlapping.
- Evenly and securely fix the seal to the cooktop, pressing into place with the fingers and remove the strip of protective paper from the seal and set the plate into the hole made in the cabinet.
- Position the hob in the hole in the unit and fasten it in place using the appropriate screws "F" and the fastening hooks "G" (fig. 2).

**NOTE: the power supply cable must be long enough to permit its upward extraction.**

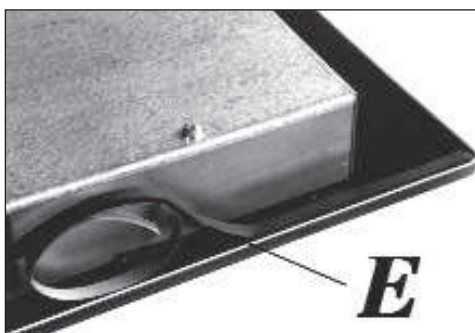
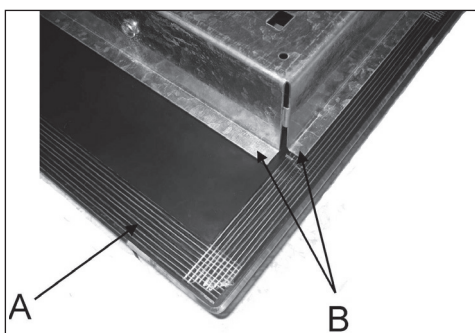


Fig. 1



Fig. 2



**Caution: Do not allow the glass (A) lay directly on the work top. It is the bottomshelf (B) that has to be in touch with the work top (see fig. above).**

## GAS CONNECTION

Before installation, check that the gas type (natural gas or Universal LPG) of the cooker is suitable for the gas type available for the installation. Check that the gas supply pressure is consistent with the values indicated in the "Injectors table." This will ensure the safe operation and longevity of your appliance while maintaining efficient energy consumption.

For ULPG models, the gas supply for the hotplate must be regulated to a pressure of 2.75kPa. The gas inlet connection fitting is 1/2" B.S.P female thread (in compliance with ISO 7 thread).

For NG models, the gas supply is connected to a regulator, which is supplied. The inlet connection has 1/2" B.S.P female thread. THE ELBOW ON THE APPLIANCE MUST BE HELD FIRMLY WITH A SPANNER. DO NOT OVER TIGHTEN. The regulated pressure for NG is 1.00kPa.

A manual shut-off valve must be installed in the gas line, in an accessible position external to the hotplate, so that the gas supply can be shut-off in the event of an emergency or service.

The gas connection is located in the rear and on the right hand underside of these appliances:

24 mm (mod: GGW610NBAUS),

230 mm (mod: GGW870NBAUS).

A. The hot plate can be connected with rigid pipe as specified in AS/NZS 5601.

B. If installing with a hose assembly, install with a hose assembly that complies with AS/NZS 1869, 10mm ID, class B or D, no more than 1.2m long and in accordance with AS/NZS 5601. Ensure that the hose does not contact the hot surfaces of the hot plate, oven, dishwasher or any other appliance that may be installed underneath or next to the hot plate. The hose should not be subjected to abrasion, kinking or permanent deformation and should be able to be inspected along its entire length with the hot plate in the installed position. Unions compatible with the hose fittings must be used and all connections tested for gas leaks.

Warning: ensure that the hose assembly is restrained from accidental contact with the flue or flue outlet of an underbench oven.

### Natural Gas

Natural Gas installations require the connection of a gas regulator at the appliance. This regulator is supplied with the appliance on purchase. Assemble the regulator (noting the gas flow direction) and transition pieces (supplied with the appliance), in accordance with figure 3. The transition piece on the supply side of the regulator must be provided by the installer.

### Liquefied Petroleum Gas

In a ULP Gas installation the gas pressure regulation is provided at the supply cylinder located outdoors, and an additional regulator at the appliance is not required. To connect supply to the appliance use transition pieces as shown in figure 4. These pieces are supplied with the appliance on purchase.

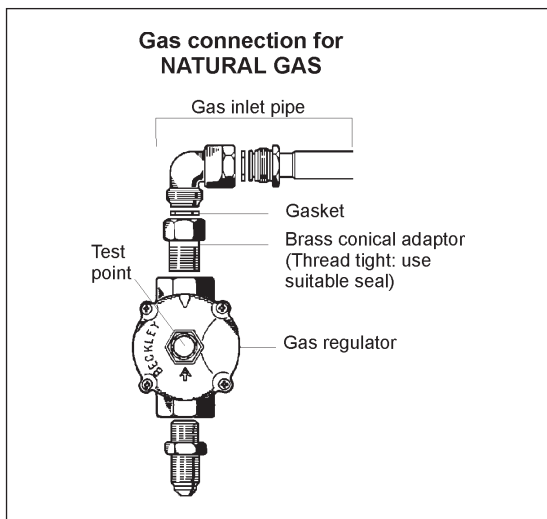


Fig. 3

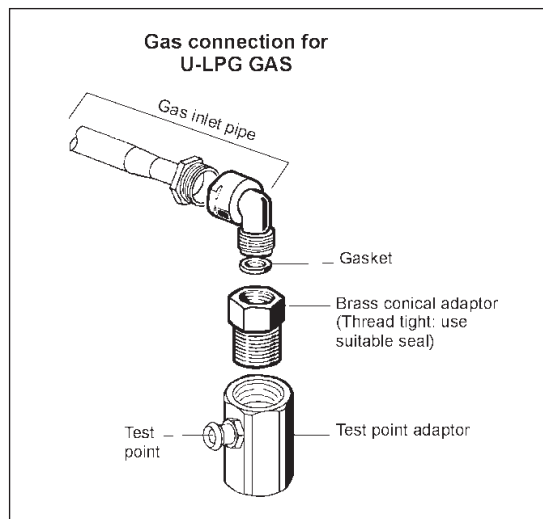


Fig. 4

After installing the gas supply and making all connections check thoroughly for possible leaks. Turn all control knobs on the unit to the "OFF" position. Open the valve on the gas supply. Using a soap and water solution, check each gas connection one at a time by brushing the solution over the connection. The presence of bubbles will indicate a leak. Tighten the fitting and re-check for leaks. If it is not possible to correct the leak, replace the fitting. Under no circumstance use matches or flame for checking leaks.

Turn on the appliance gas cock and light each burner. Check for a clear blue flame without yellow tipping. If burners show any abnormalities check the following:

- Burner cap on correctly
- Burner positioned correctly
- Burner vertically aligned with injector nipple

In some cases, the burners will fail to ignite immediately and seem to blow lightly when they do ignite; this is usually due to air in the gas pipe, which should clear itself within seconds of operation. If satisfactory performance cannot be obtained after following the instructions given, contact your After Sales Service for advice and assistance.

## ELECTRICAL CONNECTION

**IMPORTANT: the appliance must be installed following the manufacturer's instructions. The manufacturer will not be liable for injury to persons or animals or property damage caused by an incorrect installation.**

The appliance is supplied with a 1000 mm long flexible supply lead. The point of attachment for this lead is located at the rear and on the underside of the appliance 380 mm from the right hand side. The voltage and power consumption are detailed on the underside of the appliance. Ensure that the appliance is correctly rated to the supply. Connect appliance by way of a switched power point.

**THE APPLIANCE MUST BE EARTHED**

Ensure that this power point is properly earthed. Look at the connection wiring diagrams (fig. 5 - 5/A).


**Warning: in order to avoid any hazard, any electrical work performed on this equipment or its associated wiring, should only be done by persons qualified by the supplier or similarly qualified persons. The socket outlet for this cooktop shall be installed near the cooktop and shall be easily accessible.**

**The electrical connections of the appliance must be carried out in compliance with the provisions and standards in force.**

Before connecting the appliance, check that:

- The voltage matches the value shown on the rating plate and the section of the wires of the electrical system can support the load, which is also indicated on the rating plate.
- The electrical capacity of the mains supply and current sockets suit the maximum power rating of the appliance (consult the data label applied to the underside of the cooktop).
- The socket or system has an efficient earth connection in compliance with the provisions and standards in force. The manufacturer declines all responsibility for failing to comply with these provisions.

**When the appliance is connected to the electricity main by a socket:**

- Fit a standard plug suited to the load indicated on the data label to the cable.
- Fit the wires following figure n.10, taking care of respecting the following correspondences:  
**Letter L (live) = brown wire;**  
**Letter N (neutral) = blue wire;**  
**Earth symbol  = green - yellow wire.**
- The power supply cable must be positioned so that no part of it is able to reach a temperature of 90 °C.
- Never use reductions, adapters or shunts for connection since these could create false contacts and lead to dangerous overheating.

**When the appliance is connected straight to the electricity main:**

- Install an omnipolar circuit-breaker between the appliance and the electricity main. This circuitbreaker should be sized according to the load rating of the appliance and possess a minimum 3 mm gap between its contacts.
  - Remember that the earth wire must not be interrupted by the circuit-breaker.
  - The electrical connection may also be protected by a high sensitivity differential circuit-breaker.
- You are strongly advised to fix the relative yellowgreen earth wire to an efficient earthing system.

**If the installation requires modifications to the home's electrical system or if the socket is incompatible with the appliance's plug, have changes or replacements performed by professionally-qualified person. In particular, this person must also make sure that the section of the wires of the socket is suitable for the power absorbed by the appliance.**

**Before performing any service on the electrical part of the appliance, it must absolutely be disconnected from the electrical network.**

**CAUTION!**

**The manufacturer cannot be responsible for the missing earthing of the appliance. Electrical connection must be carried out in compliance with local regulations. This appliance must be connected directly to the mains supply.**

**Ensure the appliance is installed by an authorised person in accordance with AS/NZS 3000 wiring rules.**

**"The devices intended to ensure the omnipolar disconnection of the cooktop from the supply network must comply with the requirements of the AS/NZS 3000".**

**Always disconnect the appliance from the electricity main before making any adjustments.**

**All seals must be replaced by the technician at the end of any adjustments or regulations.**

**Our burners do not require primary air adjustment.**

**a) Data Label**

The Data Label is located on the underside of the cooktop. A duplicate Data Label is supplied to adhere in an accessible area next to the cooktop. This cooktop is suitable for Natural Gas and Universal LP Gas; ensure that the available gas supply matches the Data Label.

**b) Before Leaving**

Check that there are no gas leaks, but do not use a naked flame to detect gas leaks. Ignite all burners to ensure correct operation of gas valves, burners, ignition and, flame failure valves. Turn gas taps to low flame position and observe stability of the flame. When satisfied with the cooktop, please instruct the user on the correct method of operation. In case the appliance fails to operate correctly after all checks have been carried out, refer to the authorised service provider in your area.

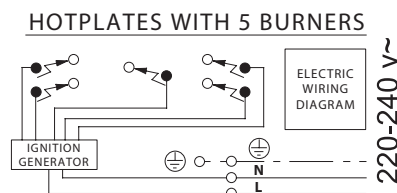


Fig. 5

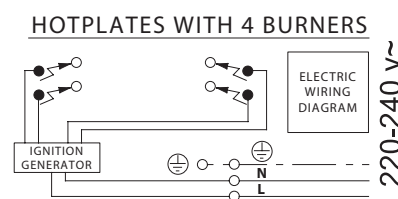


Fig. 5/A