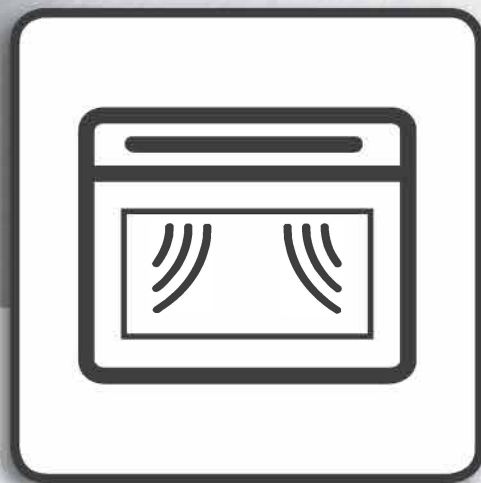


WMF250GAUS

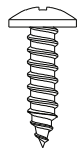
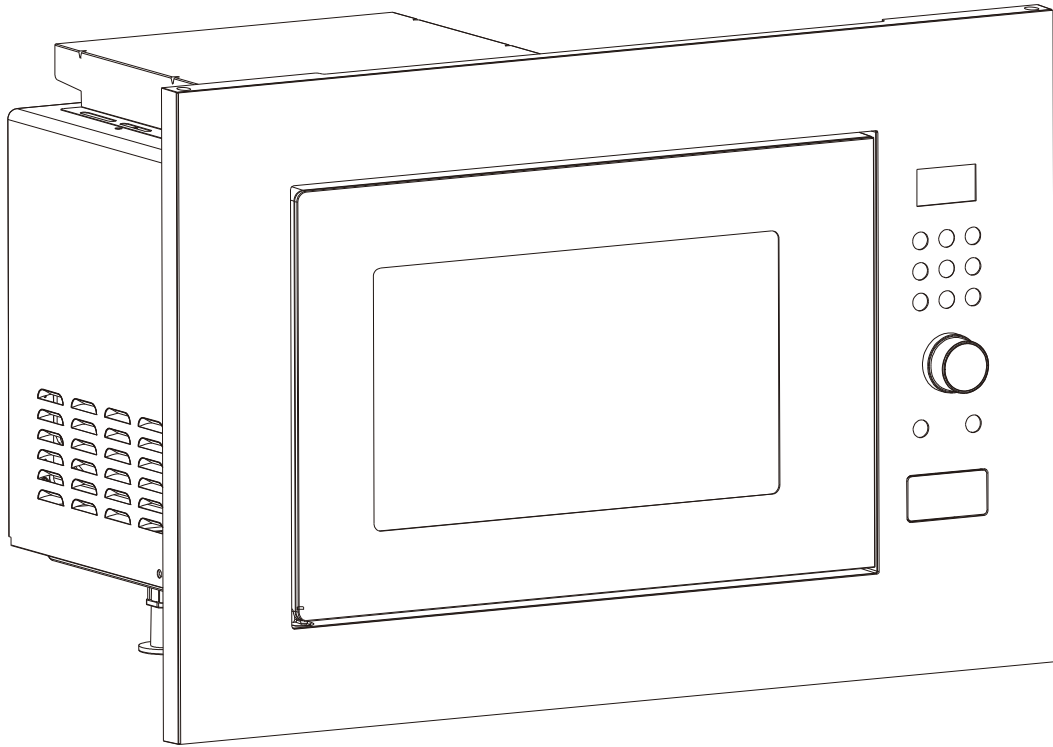


Installation Guide

www.whirlpool.com.au
www.whirlpool.co.nz

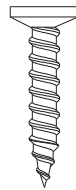
Whirlpool

SENSING THE DIFFERENCE



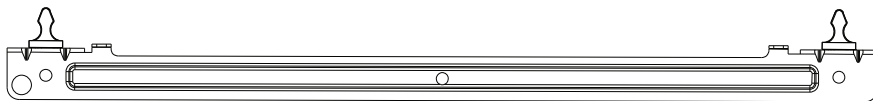
A

4x

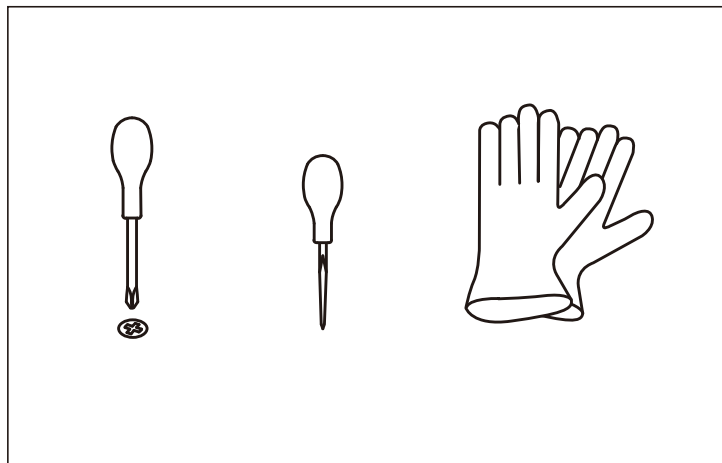


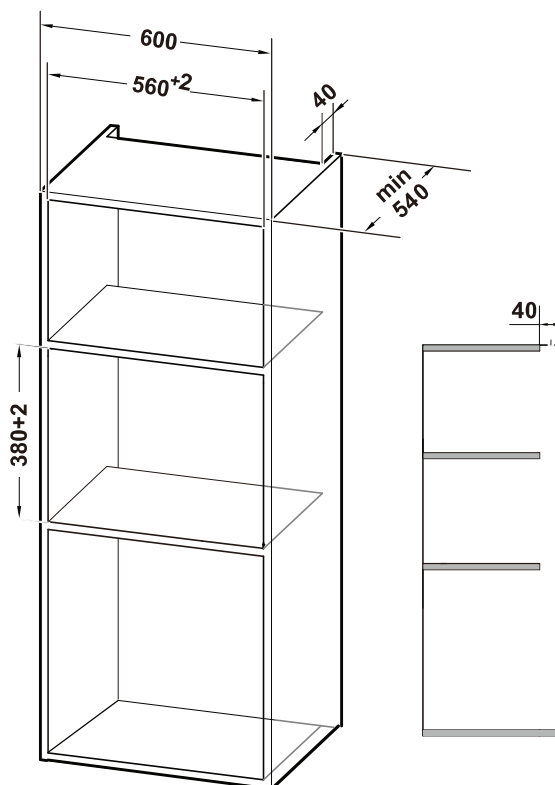
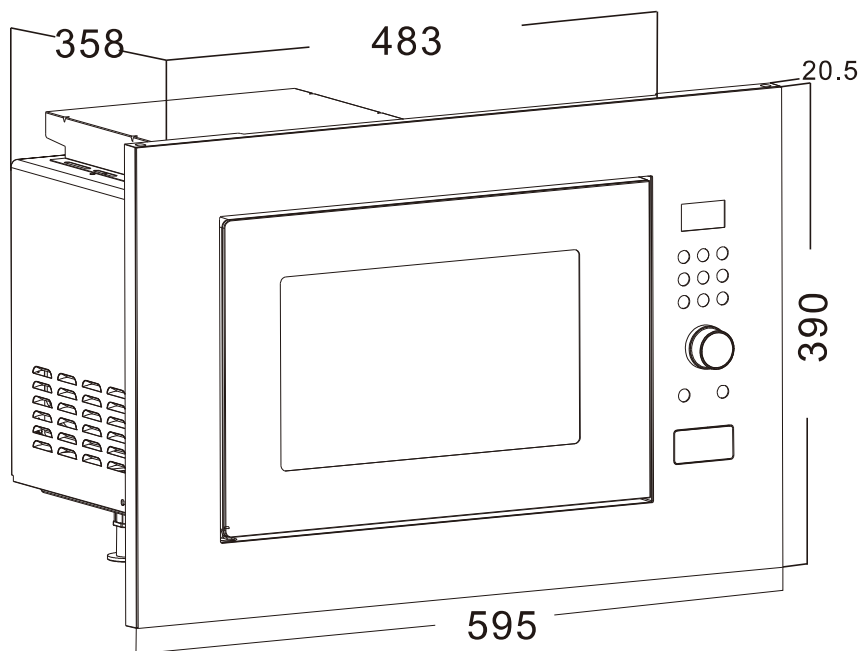
B

4x



2x

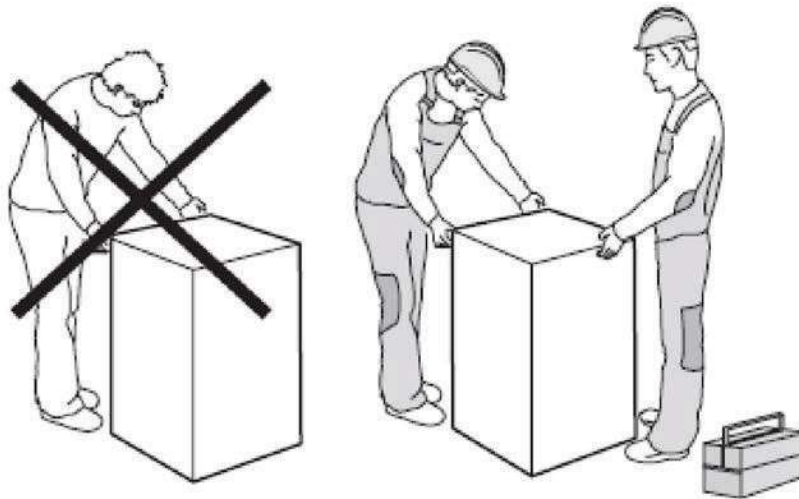
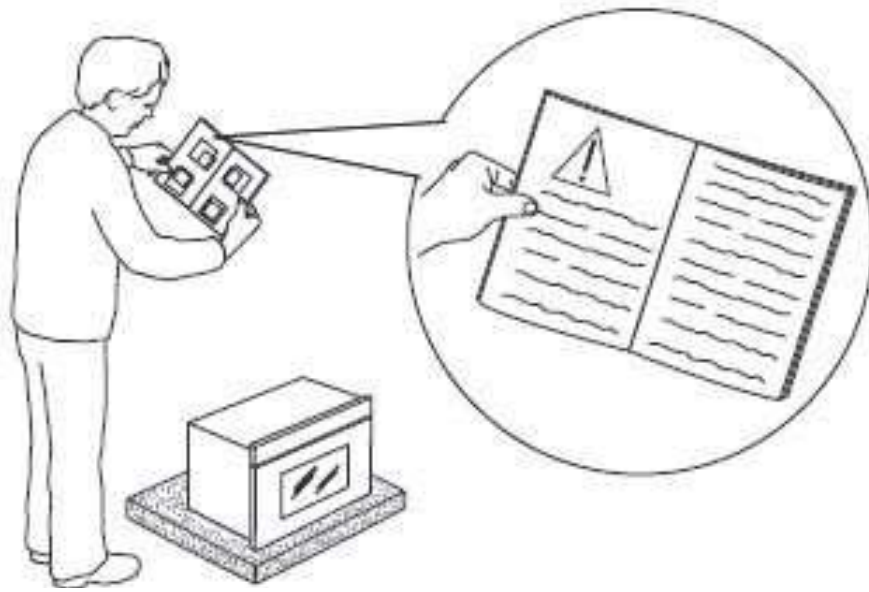


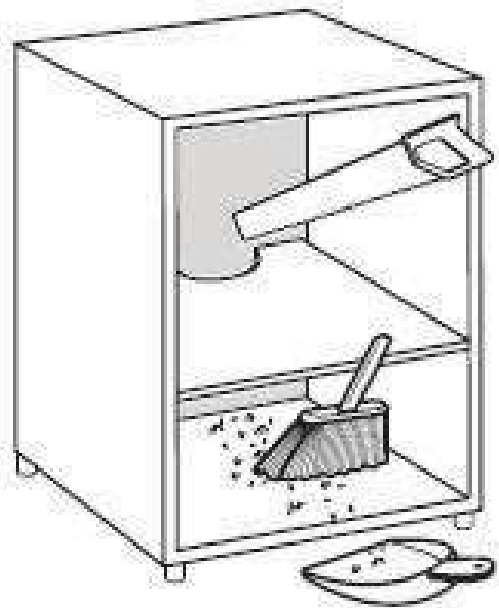
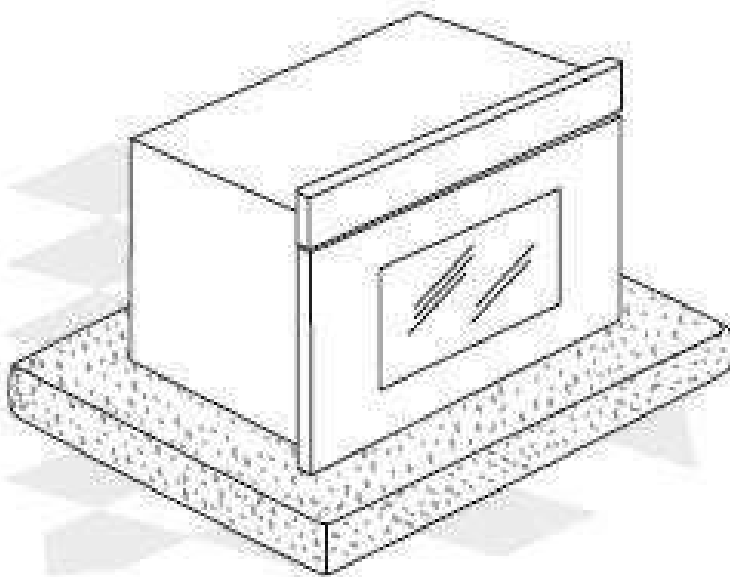
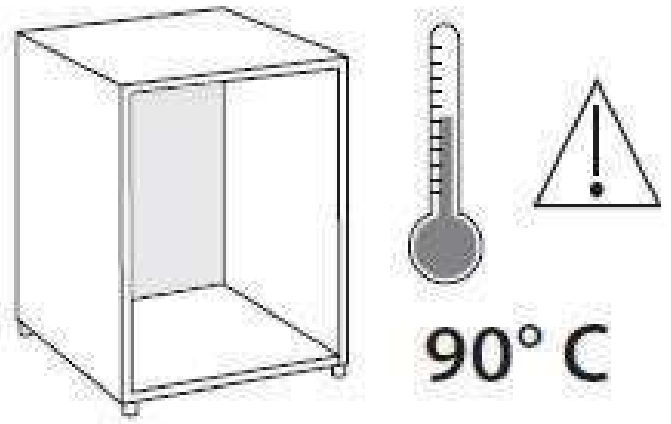
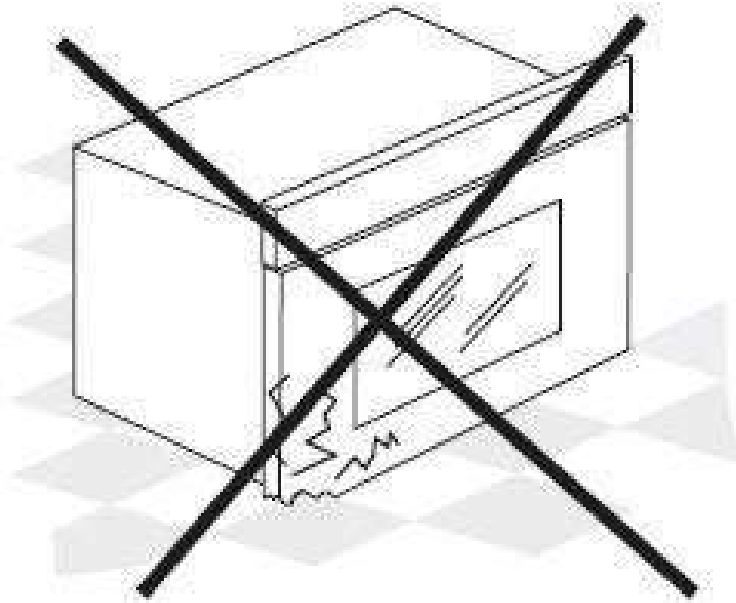


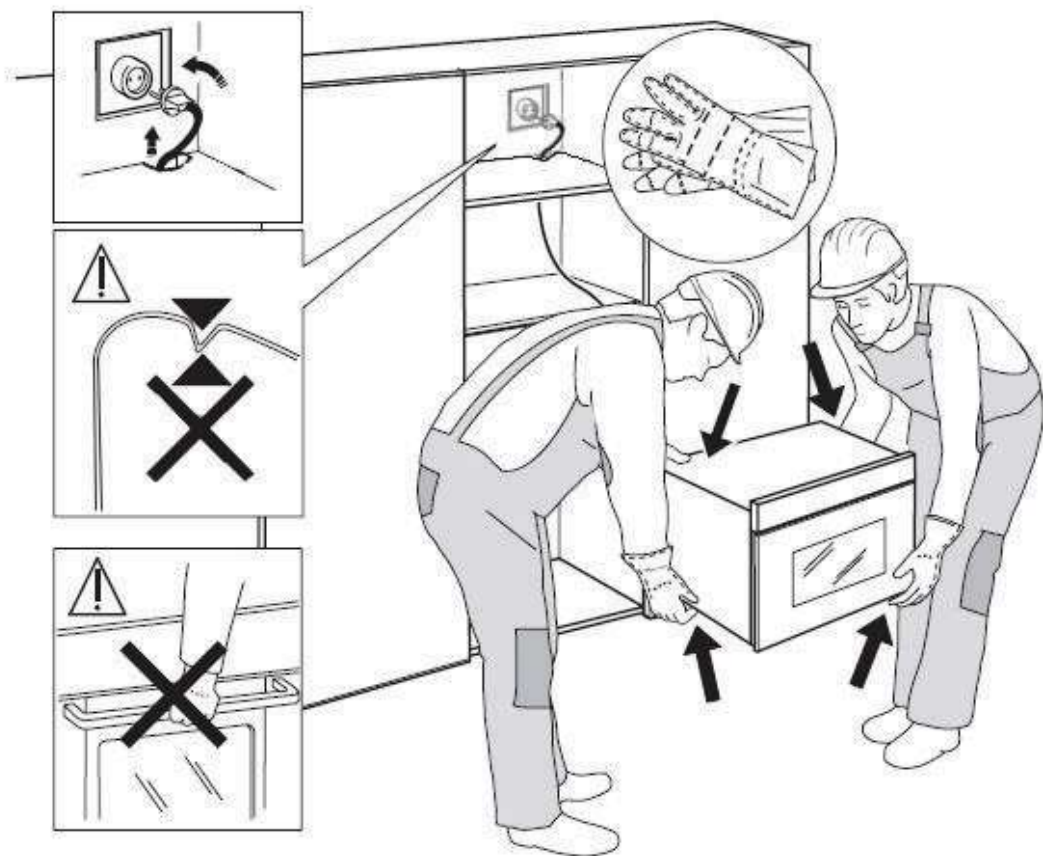
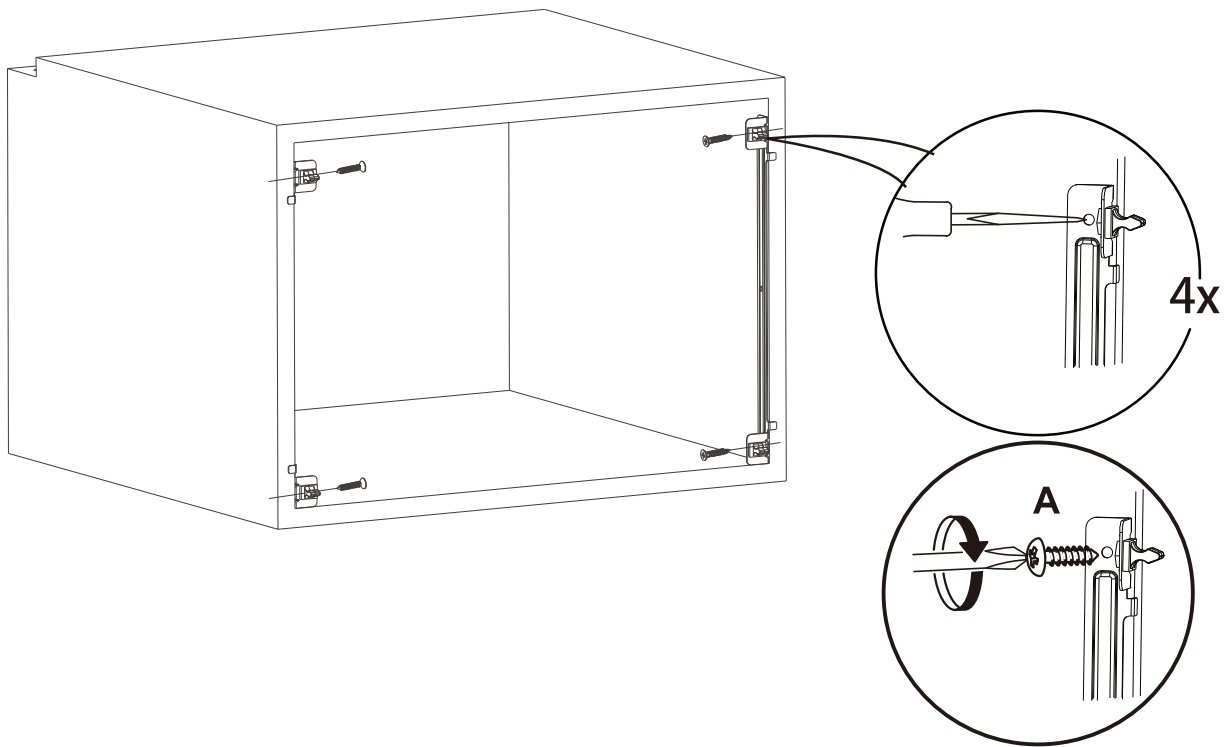
The microwave oven must not be placed in a cabinet.
The microwave oven is only used in built-in.

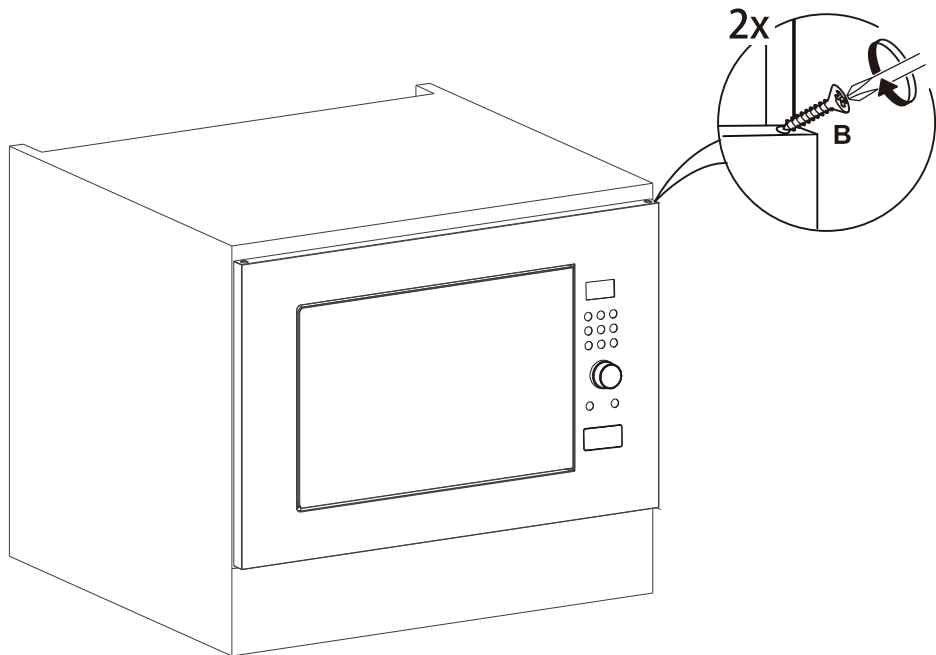
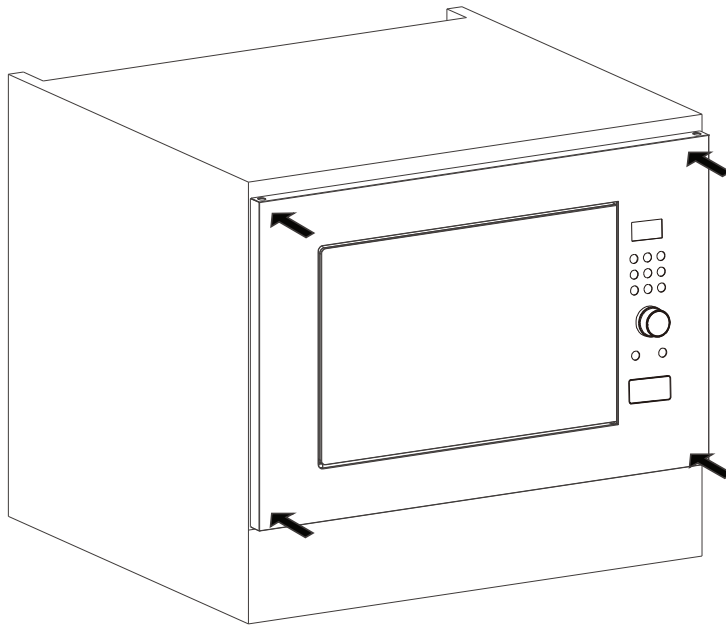
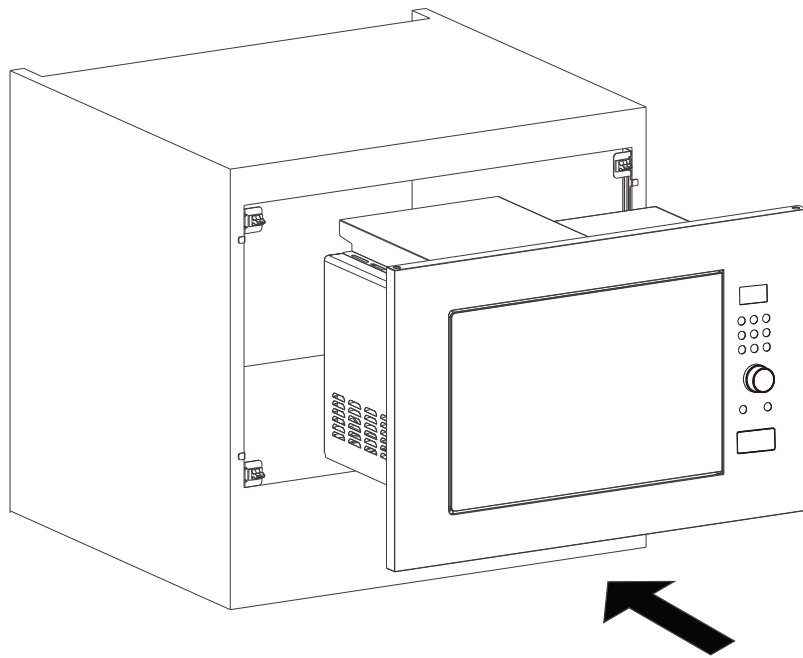
⚠ WARNING:

Accessible parts may become hot during use.
Young Children should be kept away.









INSTALLATION

- * **WARNING: Check the oven for any damage, such as misaligned or bent door, damaged door seals and sealing surface, broken or loosed door hinges and latches and dents inside the cavity or on the door. If there is any damage, do not operate the oven and contact qualified service personnel.**
- * Improper use of the grounding plug can result in a risk of electric shock.
- * Consult a qualified electrician or serviceman if the grounding instructions are not completely understood, or if you have doubts as to whether the microwave oven is properly grounded.
- * The grounding of this appliance is compulsory. The manufacturer will accept no responsibility for injury to persons, animals or damage to objects arising from the non-observance of this requirement.
- * The manufacturers are not liable for any problems caused by the user's failure to observe these instructions.
- * This microwave oven must be placed on a flat, stable surface to hold its weight and the weight of food to be cooked in the oven.
- * Do not place the oven where heat, moisture, or high humidity are generated, or near combustible materials.
- * Do not operate the oven without turntable and turntable support in their proper positions.
- * The socket must be really accessible so that it can be easily unplugged in an emergency.
- * Make sure that the power supply code is undamaged and does not run under the oven or cover any hot or sharp surface.
- * Do not use the oven outdoors.
- * Check that the voltage on the rating plate corresponds to the voltage in your home.
- * Do not remove the microwave inlet protection plates located on the side of oven cavity wall. It prevents grease & food particles from entering the microwave inlet channels.
- * Ensure the oven cavity is empty before mounting.
- * Ensure that the appliance is not damaged. Check that the oven door closes firmly against the door support and that the internal door seal is not damaged. Empty the oven and clean the interior with a soft, damp cloth.
- * Do not operate this appliance if it has a damaged mains cord or plug, if it is not working properly, or if it has been damaged or dropped. Do not immerse the mains cord or plug in water. Keep the cord away from hot surface, electrical shock, fire or other hazards may result.
- * Do not use extension cord: if the power supply cord is too short, have a qualified electrician or serviceman install an outlet near the appliance.
- * Do not install this appliance in kitchen cupboards without the specified 45mm rear chimney. Inadequate ventilation could adversely affect the performance and life of the appliance.

IMPORTANT SAFETY INSTRUCTIONS

Read Carefully And Keep For Future Reference

- * If material inside / outside the microwave oven ignite or smoke is emitted, keep microwave oven door closed and turn the microwave oven off. Disconnect the power or shut off power at the fuse or circuit breaker panel.
- * Do not leave the microwave oven unattended, especially when using paper, plastic or other combustible materials in the cooking process. Paper can char or burn and some plastics can melt if used when heating foods.

WARNING:

- * If the door or door seals are damaged, the oven must not be operated until it has been repaired by a competent person.

WARNING:

- * It is hazardous for anyone other than a competent person to carry out any service or repair operation that involves the removal of a cover which provides protection against exposure to microwave energy.

WARNING:

- * When the appliance is operated in the combination mode, children should only use the oven under adult supervision due to the temperature generated.

! WARNING: * Liquids and other foods must not be heated in sealed containers since they are liable to explode.

- * The appliance and its accessible parts become hot during using. Care should be taken to avoid touching heating elements inside the microwave oven.
- * Children less than 8 years of age shall be kept away unless continuous supervision.
- * The microwave oven is intended for heating foods and beverages. Drying of food or clothing and heating of warming pads, slippers, sponges, damp cloth and similar may lead to risk of injury, ignition or fire.
- * This appliance can be used by children aged from 8 years and above and persons with reduced physical, sensory or mental capabilities or lack of experience and knowledge if they have been given supervision or instruction concerning use of the appliance in a safe way and understand the hazards involved.
- * Cleaning and user maintenance shall not be made by children unless they are aged from 8 years and above and supervised. Children should be supervised to ensure that they do not play with the appliance. Keep the appliance and its cord out of reach of children less than 8 years.
- * Do not use your microwave oven for cooking or reheating whole eggs with or without shell since they may explode even after microwave heating has ended.
- * This appliance is not intended for use at altitudes above 2000m.

! The appliances are not intended to be operated by means of an external timer or separate remote-control system. Do not leave the microwave oven unattended if you are using a lot of fat or oil since they can overheat and cause a fire!

- * Do not heat, or use flammable materials in or near the microwave oven. Fumes can create a fire hazard or explosion.
- * Do not use your microwave oven for drying textiles, paper, spices, herbs, wood, flowers or other combustible materials. Fire could result.
- * Do not use corrosive chemicals or vapors in this appliance. This type of microwave oven is specifically designed to heat or cook food. It is not designed for industrial or laboratory use.
- * Do not hang or place heavy items on the door as this can damage the microwave oven opening and hinges. The door handle should not be used for hanging things on.

TROUBLE SHOOTING GUIDE

If the microwave oven does not work, do not make a service call until you have made the following checks:

- * The Plug is properly inserted in the wall socket.
- * The Door is properly closed.
- * Check your Fuses and ensure that there is power available.
- * Check that the microwave oven has ample ventilation.
- * Wait for 10 minutes, then try to operate the microwave oven once more.
- * Open and then close the door before you try again.

This is to avoid unnecessary calls for which you will be charged.

When calling for Service, please give the serial number and type number of the microwave oven (see Service label).

Consult your warranty booklet for further advice.

If the mains cord needs to be replaced it should be replaced by the original mains cord, which is available via our service organization. The mains cord must only be replaced by a trained service technician.

! WARNING: * Service only to be carried out by a trained service technician. Do not remove any cover.