



W Collection

W40MK38HU0BA

60cm MULTIFUNCTION HYDROLYTIC OVEN



FEATURES & BENEFITS



COOK 3

Cook on three different dishes at the same time thanks to a special airflow that avoids aroma mixing.



TURBO GRILL

Fan grilling technology that cooks quickly and more evenly with a boost of hot air surrounding the grill zone. This feature has been designed to create a spit roast effect, so even thicker pieces of meat are crisp on the outside and tender on the inside.



FAN FORCED AIR SYSTEM

A quick and easy cooking method that doesn't require pre-heating. The fan distributes hot air evenly to all parts of the oven and even allows you to cook different foods simultaneously without mixing taste or smell.



SMART CLEAN

Innovative SmartClean technology cleans the oven thoroughly and efficiently, leaving no odours and without requiring a detergent. SmartClean technology works together with an easy-to clean special enamel and offers a dedicated cycle that always delivers perfect cleaning results.



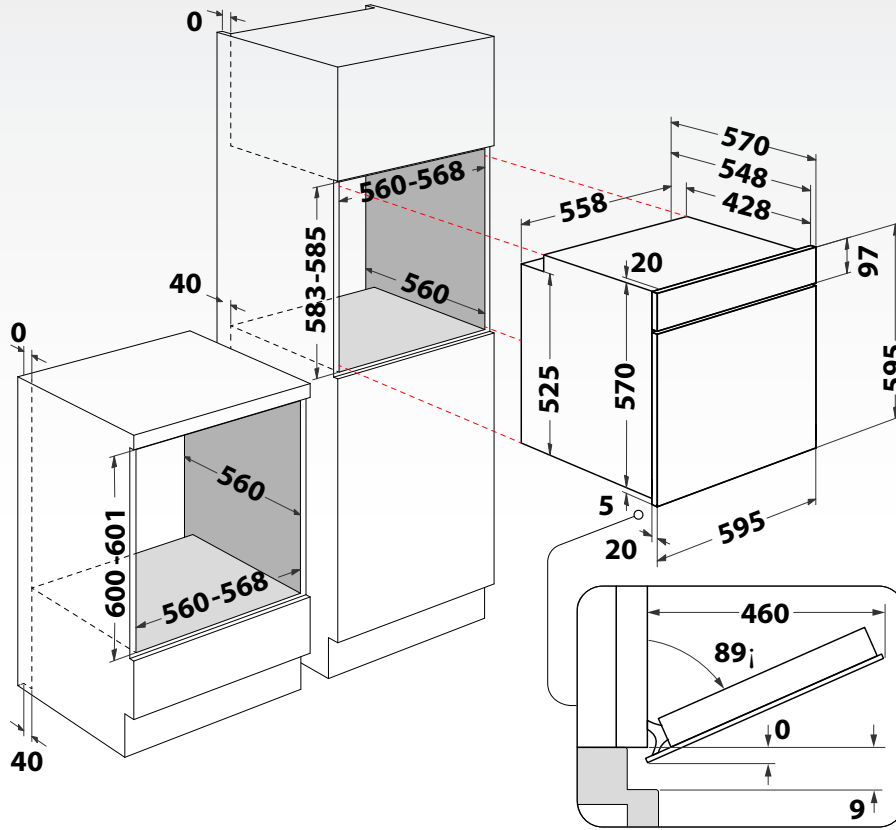
WARRANTY

5 Year warranty on parts and labour.

TECHNICAL SPECIFICATIONS

COLOUR/FINISH	Black
CONTROL	Push Knobs
DOOR / HANDLE DESIGN	Full Glass Door with Black Handle
CAVITY TYPE	Enamelled
CAPACITY	71 litres
COOKING SHELVES	5 shelves
HEATING TEMPERATURE	60°C to 250°C
8 FUNCTIONS	Conventional, Convection Bake, Forced Air, Grill, Turbo Grill, Bottom Heating, Pizza, Defrosting,
CLEANING	Hydrolytic Cleaning
ENERGY CONSUMPTION	0.99 kwh/cycle
MAX. TOTAL POWER	2750W
VOLTAGE	220-240 V
CURRENT	13 amp
ELECTRICAL CORD	90cm
PACKAGING DIMENSIONS	W 640mm x H 670mm x D 650mm
GROSS WEIGHT	28.2kg
NET WEIGHT	26.9kg
PLACE OF MANUFACTURE	Poland
PRODUCT DIMENSIONS	W 595mm x H 595mm x D 551mm
CUT OUT DIMENSIONS	W 560mm x H 583mm x D 560mm
WARRANTY	Five Year Parts and Labour

INSTALLATION GUIDE



CONTROL PANEL



DISTRIBUTED BY ARISIT PTY LTD

40-50 Mark Anthony Drive, Dandenong South VIC 3175
 Ph: 1300 762 219 Fax: 03 9768 0838 Website: www.arisit.com