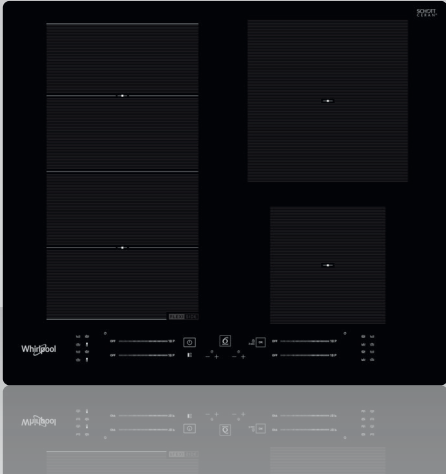




WFS0160NE

60CM BUILT-IN INDUCTION HOB



FEATURES & BENEFITS



6TH SENSE FUNCTIONS

Always achieve perfect results effortlessly, with 4 pre-set functions that can automatically set the heat level when selecting the cooking method.



INDUCTION TECHNOLOGY

Induction technology heats the pan, not the hob, reducing energy dispersion as well as achieving faster and energy-efficient cooking.



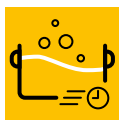
FLEXISIDE

Maximize cooking flexibility with the freedom to place pots anywhere in the area and have a more uniform heat distribution.



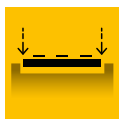
CHEF CONTROL

Thanks to the Booster function which the cooking zones of the hob are equipped with, boiling times are significantly reduced.



BOOSTER

Always achieve perfect results effortlessly, with 4 pre-set functions that can automatically set the heat level when selecting the cooking method.



EASY INSTALLATION

The hob comes with a thinner platform, the zero-gap structure lays down directly on the worktop and with minimum worktop thickness.



CONTROL PANEL LOCK

Featuring a control panel lock system to prevent toddlers and children from accidentally using the hob.



WARRANTY

5 Year warranty on parts and labour.

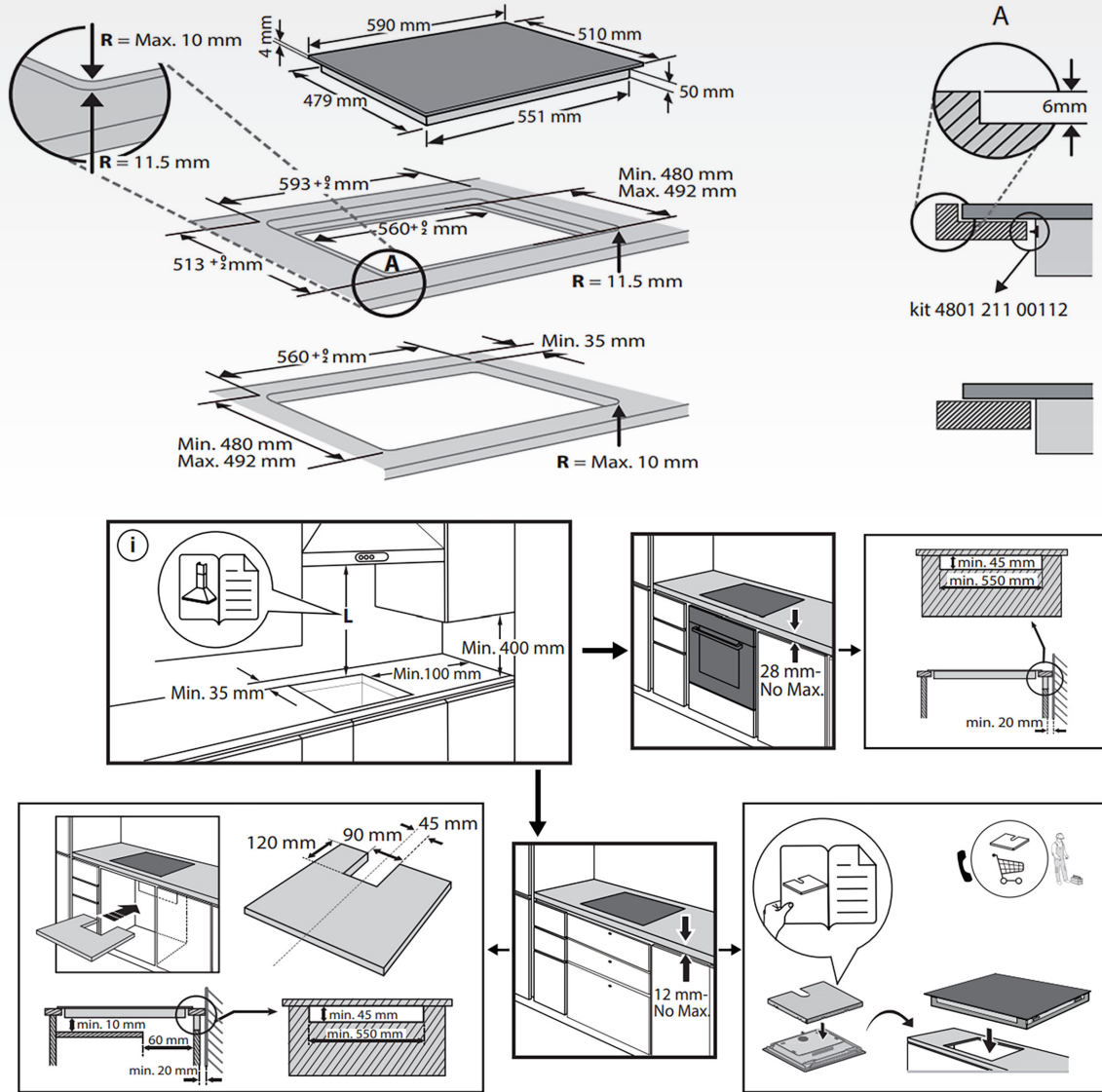
TECHNICAL SPECIFICATIONS

TYPE	60cm Built-in Induction Hob
COOKING ZONES	4
COLOR / FINISH	Black Schott Glass
CONTROL	Slider Touch control
LOCATION OF CONTROL PANEL	Front
PRODUCT WEIGHT	9.4kg
PRODUCT DIMENSION	W 590mm x H 54mm x D 510mm
EAN	8003437600944
FUNCTIONS	6th SENSE with 4 automatic functions: Keep Warm / Melting / Simmering / Boiling, 4 Induction Cooking Zones
FEATURES	FlexSide, Chef Control, Power On Indicator, Residual Heat Indicator, Timer, Pan Detection, Control Panel Lock, Power Management, Acoustic Signal On/Off, Zero-gap Structure, Easy Installation
POWER	7200w - 18 levels + booster
ENERGY INPUT	Electric
POWER VOLTAGE	220-240V, 50/60Hz
CURRENT	31.3A
LENGTH OF POWER CORD	120cm
PACKAGING DIMENSIONS	W 670mm x H 120mm x D 600mm
GROSS WEIGHT	10.4kg
NET WEIGHT	9.4kg
COUNTRY OF ORIGIN	Italy
WARRANTY	5 years

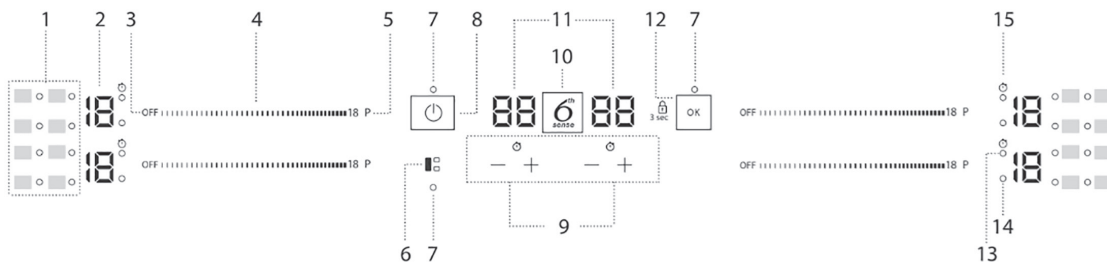
DISTRIBUTED BY ARISIT PTY LTD

40-50 Mark Anthony Drive, Dandenong South VIC 3175
Ph: 1300 762 219 Fax: 03 9768 0838 Website: www.arisit.com

INSTALLATION GUIDE



CONTROL PANEL



1. Symbols/activation of special functions
2. Cooking level selected
3. Cooking zone off button
4. Scroll keypad
5. Fast heating button (Booster)

6. FLEXISIDE button
7. Indicator light – function active
8. On/Off button
9. Timer
10. 6th Sense button

11. Cooking time indicator
12. OK/Key lock button – 3 seconds
13. Timer active indicator
14. Zone selection indicator
15. Timer indicator symbol

DISTRIBUTED BY ARISIT PTY LTD

40-50 Mark Anthony Drive, Dandenong South VIC 3175
 Ph: 1300 762 219 Fax: 03 9768 0838 Website: www.arisit.com