



WMH9900BLAUS

BUILT-IN 90CM MULTI-FUNCTION OVEN



FEATURES & BENEFITS



AIR FRY

With the built-in air fryer, oil-fried unhealthy food is a thing of the past. Now enjoy tasty yet healthy delicacies at the touch of a button.



GENTLE STEAM

The Gentle Steam function pairs the ultimate combination of assisted steam with a conventional cooking method, to ensure nutrients and juiciness are retained in the foods whilst maintaining a crispy exterior.



SMART CLEANING

Innovative SmartClean technology cleans the oven thoroughly and efficiently, leaving no odours and without requiring a detergent. SmartClean technology works together with an easy-to clean special enamel and offers a dedicated cycle that always delivers perfect cleaning results.



XXL CAVITY

All the space you need. The XXL cavity in your oven has a capacity of 133 Litres with 5 different shelf positions available.



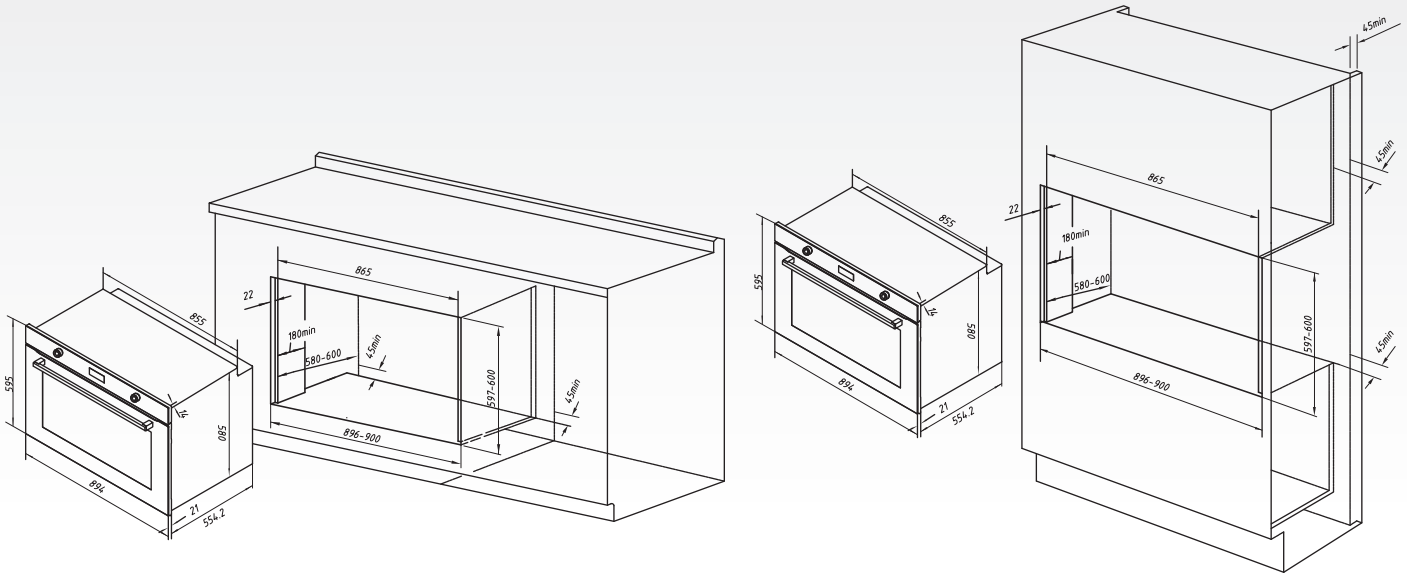
WARRANTY

5 Year warranty on parts and labour.

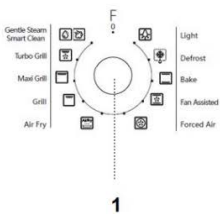
TECHNICAL SPECIFICATIONS

COLOUR/FINISH	Black Glass
DISPLAY	LED Digital
CONTROL	Black Knob
DOOR / HANDLE DESIGN	Triple Glass Door with Black Handle
CAVITY TYPE	Enamelled
CAPACITY	133 litres
COOKING SHELVES	5 shelves
WEIGHT	48.5kg
PRODUCT DIMENSION	W 894mm x H 595mm x D 575mm
CUT OUT DIMENSION	W 900mm x H 600mm x D 580mm
HEATING METHODS	Bake, Fan Assisted, Forced Air, Grill, Turbo Grill, Air Fry, Defrost, Maxi Grill, Gentle Steam
HEATING TEMPERATURE	60°C to 250°C
FEATURES	Kitchen Timer, Lamp x 2
CLEANING	Hydrolytic Cleaning
ACCESSORIES	Wire Shelf x 1, Baking Tray x 2, Air Fry Basket x 2
MAX. TOTAL POWER	3000-3600 W
VOLTAGE	220-240 V
FREQUENCY	50/60Hz
LENGTH OF ELECTRICAL CORD	110 cm, no plug
PACKAGING DIMENSIONS	W 942mm x H 656 mm x D 658mm
GROSS WEIGHT	53.5 kg
NET WEIGHT	48.5 kg
PLACE OF MANUFACTURE	Asia
WARRANTY	Five Year Parts and Labour

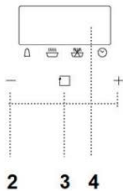
INSTALLATION GUIDE



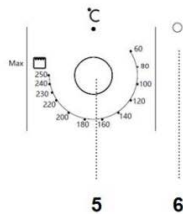
CONTROL PANEL



1



2 3 4



5 6

1. SELECTION KNOB
For switching the oven on by selecting a function. Turn to the 0 position to switch the oven off.

2. ADJUSTMENT BUTTONS
To decrease or increase the value shown on the display.

3. SETTING THE TIME
For accessing the cooking time settings, delayed start and timer.

4. DISPLAY

5. THERMOSTAT KNOB
Turn to select the temperature you require when activating manual functions.

6. LED THERMOSTAT / REHEATING
Switches on during the heating process. Switches off once the desired temperature is reached.