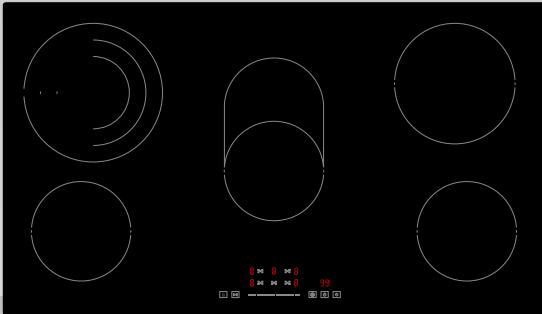




# WRT9350AU

## 90CM 5-ZONE CERAMIC HOB WITH TRIPLE & OVAL ZONE



### FEATURES & BENEFITS



#### TRIPLE & OVAL ZONE

Extended zones can provide a larger cooking area and additional heat to fit for different sizes of cooking pan.



#### STOP & GO

Suspend the cooking process if you're interrupted then re-start again at the same temperature in an instant with the Stop & Go function.



#### BLACK CERAMIC GLASS

A completely smooth cooking surface makes the cooktop extremely easy to clean with just a wipe.



#### CHILD LOCK

Featuring a Child Lock function to prevent toddlers and children from accidentally using the hob.



#### RESIDUAL HEAT INDICATOR

As an added safety precaution, all Whirlpool ceramic hobs have residual heat indicators on each zone to alert you when a zone is still hot.



#### WARRANTY

5 Year warranty on parts and labour.

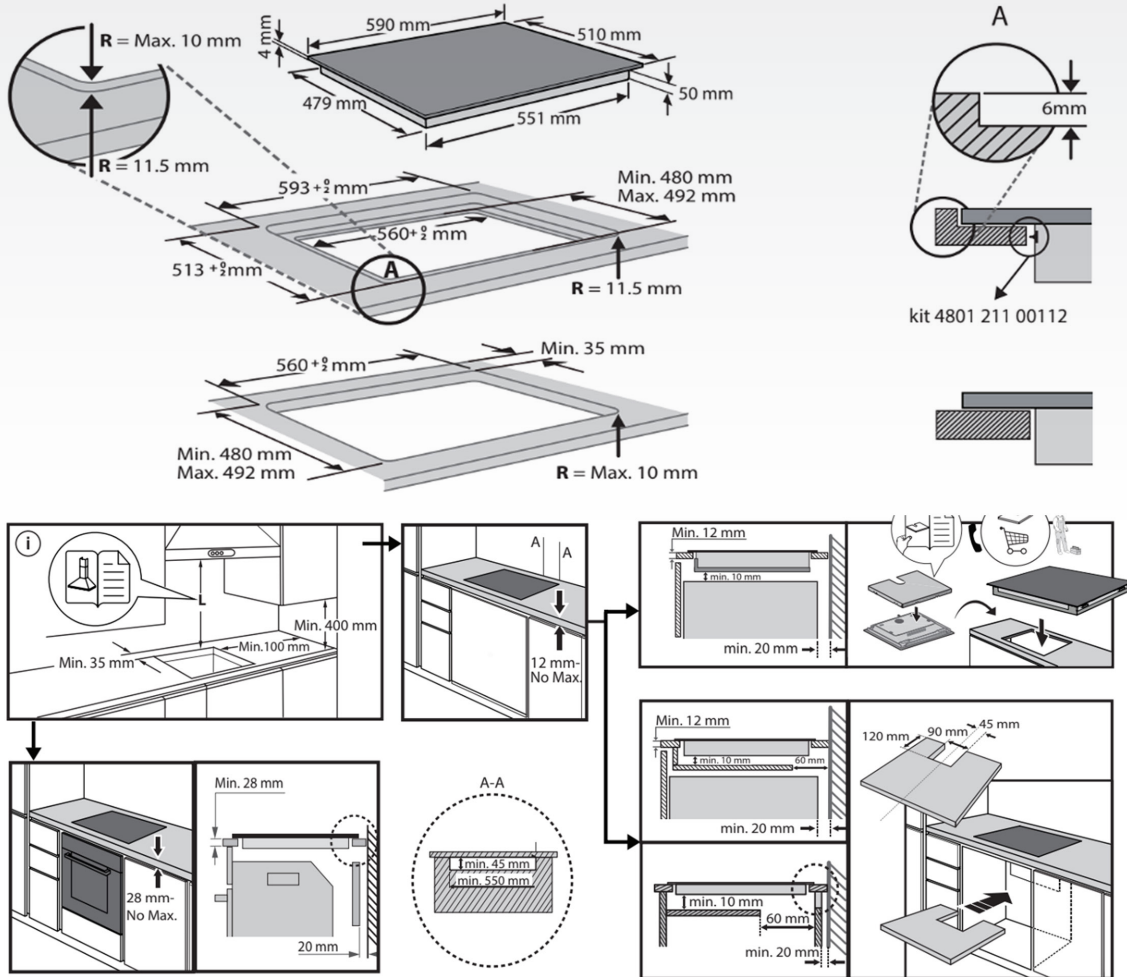
### TECHNICAL SPECIFICATIONS

TYPE	90cm Built-in Ceramic Hob
COOKING ZONES	5
COLOR / FINISH	Black Ceramic Glass
CONTROL	Touch Slider Control
LOCATION OF CONTROL PANEL	Front
PRODUCT NET WEIGHT	12.5kg
PRODUCT DIMENSION	W 900mm x H 51mm x D 520mm
CUT-OUT DIMENSION	W 880mm x D 500mm
FUNCTIONS	Triple Zone, Oval Zone, Stop & Go Function
FEATURES	Child Lock, Timer, Residual Heat Indicator, Auto Shutdown, Overheat Protection, Overflow Protection
TOTAL POWER	8,500W
LEFT, FRONT ZONE	1,200W
LEFT, REAR ZONE	2,300W/1,500W/700W
CENTRAL ZONE	2,000W/1,100W
RIGHT FRONT ZONE	1,200W
RIGHT REAR ZONE	1,800W
POWER SETTING	9 levels
ENERGY INPUT	Electric
POWER VOLTAGE	220-240V~, or 380-415V 3N~, 50-60Hz
LENGTH OF POWER CORD	110cm (without plug)
PACKAGING DIMENSION	W 990mm x H 118mm x D 598mm
GROSS WEIGHT	14.29kg
COUNTRY OF ORIGIN	Asia
WARRANTY	5 years

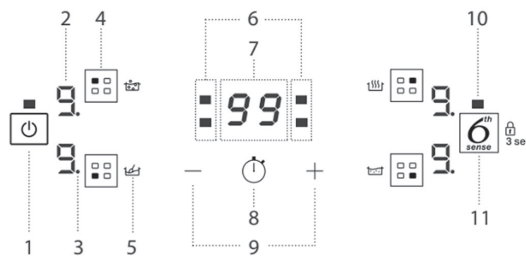
DISTRIBUTED BY ARISIT PTY LTD

40-50 Mark Anthony Drive, Dandenong South VIC 3175  
Ph: 1300 762 219 Fax: 03 9768 0838 Website: www.arisit.com

# INSTALLATION GUIDE



# CONTROL PANEL



- 1. On/Off button
- 2. Cooking level selected
- 3. Zone selection indicator
- 4. Cooking zone selection button
- 5. Special function icon
- 6. Timer indicators active for the selected zone
- 7. Cooking time indicator
- 8. Timer activation button
- 9. Power and cooking time adjustment buttons
- 10. Indicator light – function active
- 11. 6<sup>th</sup> Sense button/Key lock button – 3 seconds

DISTRIBUTED BY ARISIT PTY LTD

40-50 Mark Anthony Drive, Dandenong South VIC 3175  
Ph: 1300 762 219 Fax: 03 9768 0838 Website: www.arisit.com